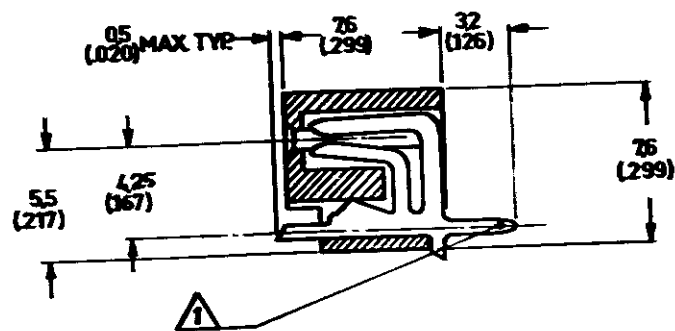
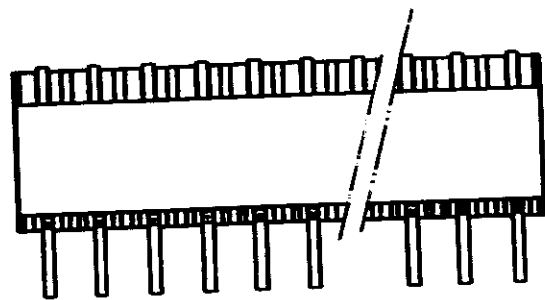
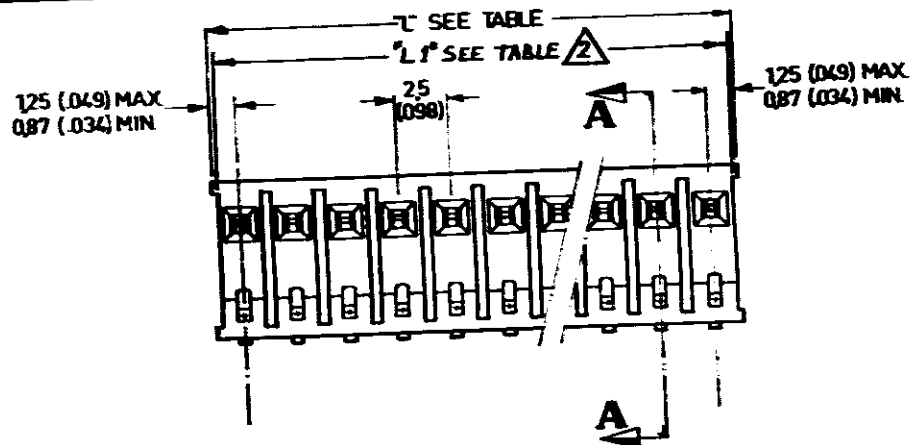


DRAWING MADE IN AMERICAN PROJECTION



SECTION A-A

NOTES:



PREFERRED HOLE SIZE: $08 \begin{smallmatrix} +0.01 \\ -0.00 \end{smallmatrix}$ (0.31) $09 \begin{smallmatrix} +0.01 \\ -0.00 \end{smallmatrix}$ (0.35) $10 \begin{smallmatrix} +0.01 \\ -0.00 \end{smallmatrix}$ (0.39)

DEPENDING ON NUMBER OF POSITIONS OF CONNECTOR. FOR MORE INFORMATION PLEASE CONTACT PRODUCT-ENGINEERING DEPARTMENT.

ONLY FOR USE WITH G.M.T.S. HEADERS



L MAX		NUMBER OF LOADED POS	ORDER NO	L1 MAX		L MAX		NUMBER OF LOADED POS	ORDER NO.
mm	(inches)			mm	(inches)	mm	(inches)		
52.6	2.071	21	2-163680-0	7.3	.287	7.6	.300	1	1-163680-1
55.1	2.170	22	2-163680-1	9.8	.386	10.1	.398	2	1-163680-2
57.6	2.268	23	2-163680-2	12.3	.484	12.6	.497	3	1-163680-3
60.1	2.367	24	2-163680-3	14.8	.582	15.1	.595	4	1-163680-4
				17.3	.681	17.6	.694	5	1-163680-5
				19.8	.779	20.1	.792	6	1-163680-6
				22.3	.878	22.6	.890	7	1-163680-7
				24.8	.976	25.1	.989	8	1-163680-8
				27.3	1.075	27.6	1.087	9	1-163680-9
				29.8	1.173	30.1	1.186	10	1-163680-10
				32.3	1.271	32.6	1.284	11	1-163680-11
				34.8	1.370	35.1	1.382	12	1-163680-12
				37.3	1.468	37.6	1.481	13	1-163680-13
				39.8	1.567	40.1	1.579	14	1-163680-14
				42.3	1.665	42.6	1.678	15	1-163680-15
				44.8	1.764	45.1	1.776	16	1-163680-16
				47.3	1.862	47.6	1.875	17	1-163680-17
				49.8	1.960	50.1	1.973	18	1-163680-18
								19	1-163680-19
								20	1-163680-20

DOC. CENTRE
29 OKT. 1993

MATERIAL	HOUSING: GREY NORYL SE1-802			
	RECEPTACLES: BRASS; TINPLATED OVER NICKEL - BARRIER			
CUSTOMER COPY FOR REFERENCE ONLY				
NUMBER C-163680	DATE	16.3.73		
	DATE	19.3.73		
	DATE	16.3.73		
	DATE			
© 1973 BY AMP-HOLLAND N.V. ALL RIGHTS RESERVED. AMP PRODUCTS COVERED BY PATENTS AND/OR PATENTS PENDING.		 AMP-HOLLAND N.V. -HEEROGESBOSCH HOLLAND		
SCALE	4:1			
LOC	H	SIZE	B	
NO	C-163680		REV	E
NAME: FEMALE CONN. FOR COMMERCIAL INTERCONNECTION SYSTEM 25 mm PITCH. Top entry				

